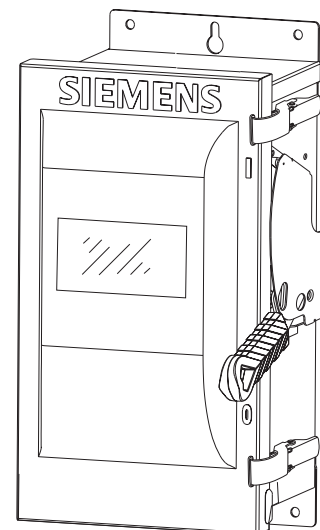


Product Specification Sheet #HD60.5.1

Heavy Duty Safety Switch with Viewing Window

Type VBII

60 Amp, Type 12 Industrial & Type 4/4X Stainless Steel



General Information

Catalog Number	Volts	Description	Shipping Weight (lbs.)
Type 12 Industrial ①			
HFC362JW	600	3 Pole, 3 Wire, Fusible	22
HNFC362JW	600	3 Pole, 3 Wire, Non-Fusible	19
Type 4/4X Stainless Steel			
HFC362SW	600	3 Pole, 3 Wire, Fusible	23
HNFC362SW	600	3 Pole, 3 Wire, Non-Fusible	23

Horsepower Ratings ②③④ - 600 Volts

Catalog Number	3 Phase, 480V AC		3 Phase, 600V AC		250V DC
	Std	Max	Std	Max	
HFC362JW	15	30	15	50	25
HFC362SW	15	30	15	50	25
HNFC362JW ⑤	—	50	—	60	25
HNFC362SW ⑤	—	50	—	60	25

Accessories

Catalog Number	Description
HA161234	One Normally Open and Closed Auxiliary Switches
HA261234	Two Normally Open and Closed Auxiliary Switches
HA361234	Low Voltage Auxiliary Switch
HG61234	Equipment Ground Lug Kit (Factory installed)
HG261234	Isolated Equipment Ground Lug Kit
HP62	Fuse Puller
HNC623	Neutral Kit
HR62	600 Volt Class R Fuse Clip Kit (3 fuse clips per kit)
HLC612	Copper Lug Kit (9 lugs per kit)
HCL623	Compression Lug Neutral Barrier Kit
SSH100	1.00" Type 12 and 4X Hub
SSH150	1.50" Type 12 and 4X Hub

Replacement Parts

Catalog Number	Description
HFB62	Fusible Line Side Replacement Base (HF362JW, HF362SW)
HBB62	Fusible Load Side Replacement Base (HF362JW, HF362SW)
HNB623	Non-Fusible 600 Replacement Base (HNF362JW, HNF362SW)
HH6123	Replacement Handle/Handle Guard (HH6123S for Type 4X)
HL612	Replacement Lugs (3 lugs per kit)
HM6123	Replacement Mechanism (HM6123S for Type 4X)
⑥	Replacement Door

Mechanical Lug Wire Ranges (60/75°C, Cu/Al)

Description	Wire Range
Line, Load Neutral	#12-2 AWG (Al) or #14-2 AWG (Cu)
Ground	#14-4 AWG

① Also rated 3R/3S for outdoor use.

② Horsepower ratings listed also apply to Design E motors with no derating.

③ Dual horsepower ratings:

Std - applies when non-time delay fuses are installed.

Max - applies when time-delay fuses are installed.

④ Also rated 10HP at 250V AC systems.

⑤ Also rated 20HP on 3Ø, 240V AC systems

⑥ Place "DOOR" at the end of the switch catalog number.

Standards and Ratings

- CSA#1079316
- Meets CSA C22.2 No.4-04 for switches
- Meets NEMA Standard KS-1 for enclosed switches
- Meets NEC wire bending space requirements
- Rated 10,000 AIC with Class H fuses or 200,000 AIC with Class R and J fuses
- Rated 100,000 AIC at 600Vdc with Class R or J fuses
- I²t rated (Amps² x Seconds = 200,000)
- 12X overload current rating exceeds standard 10X industry standard
- Suitable for use as service entrance equipment

Features

- Quick-make and break switching action
- Double break visible blade design
- Highly visible ON/OFF indication
- Window permits viewing of both visible blades and indicating type fuses
- Rugged installer friendly enclosure design
- Modular design allows quick and easy replacement of parts
- Front removable lugs which can easily be converted to copper body or compression type lugs
- Defeatable dual cover interlock

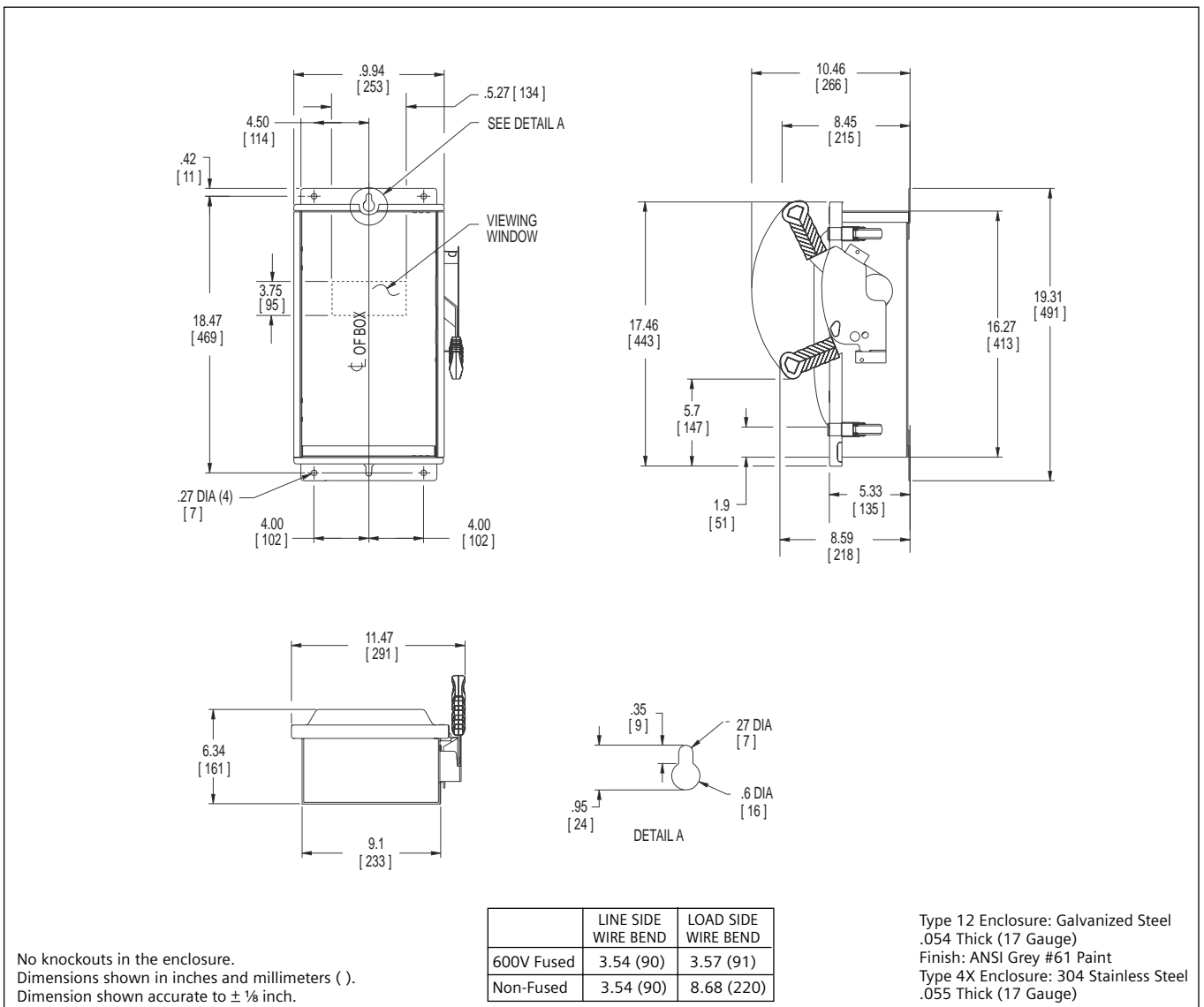
SIEMENS

Product Specification Sheet #HD60.5 (page 2)

Compression Lugs

Wire Size	Burdny		Thomas-Betts		IIsco	
	CU ONLY	CU/AL	CU ONLY	CU/AL	CU ONLY	CU/AL
#14-10				60096 60097		
#8	YA8C-L BOX YA8C-L1 BOX		54104 54130	60101 60102 61102	CRA-8	ACL-8 ACN-8
#6				61107		

Dimension Drawing



Siemens Canada Ltd.
Automation & Drives
1550 Appleby Line
Burlington, Ontario L7L 6X7

©Siemens Canada Ltd.
Siemens is a registered trademark of Siemens AG
Specifications are subject to change without notice.

www.siemens.ca